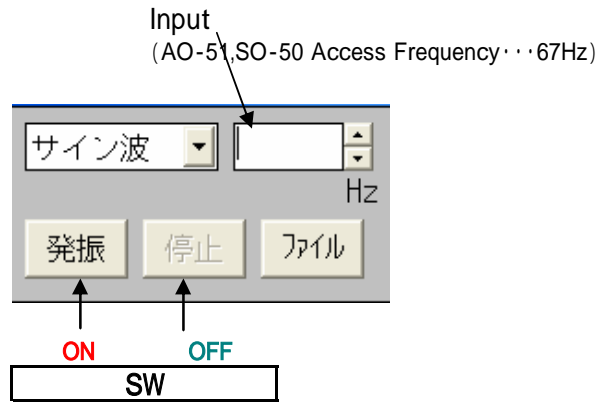


Satellite BBW/CAW type (FT-736/IC-275) Tone encoder

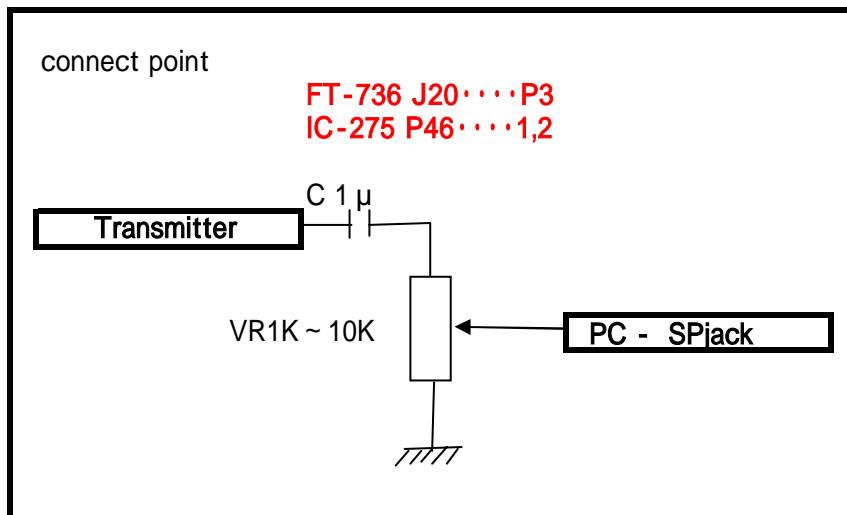
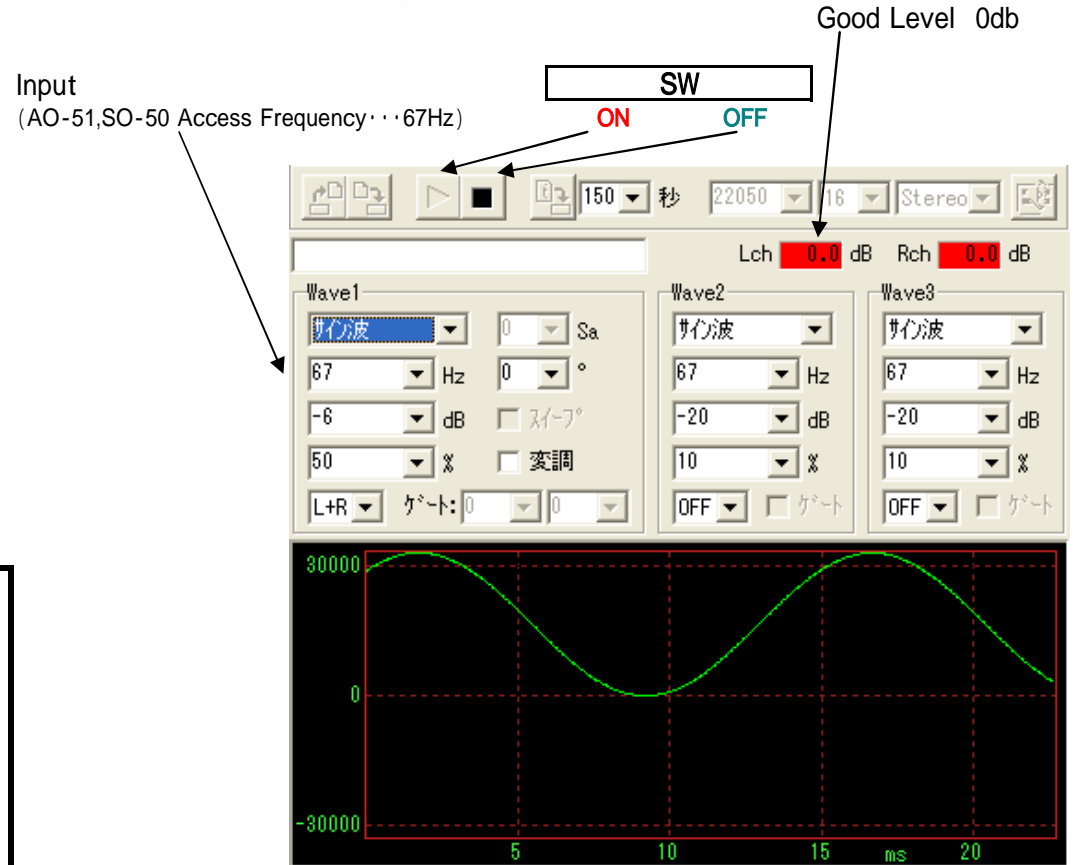
(JA0BBW/JA0CAW)

Audio Low Frequency Osc Free Soft

BBW type



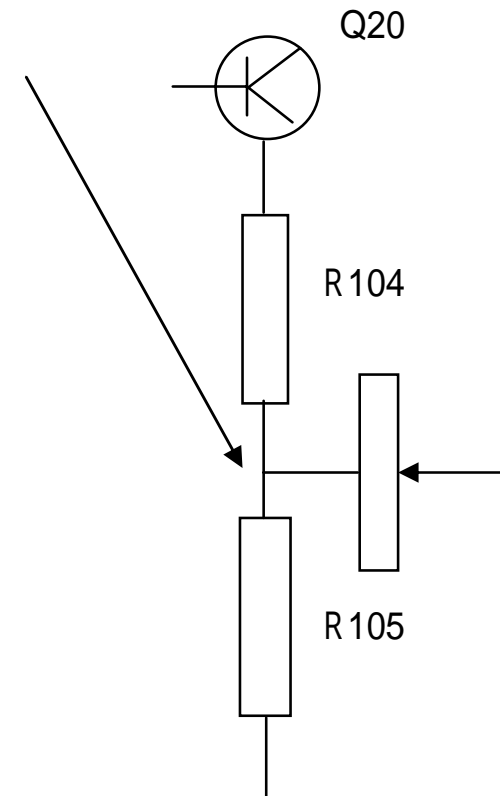
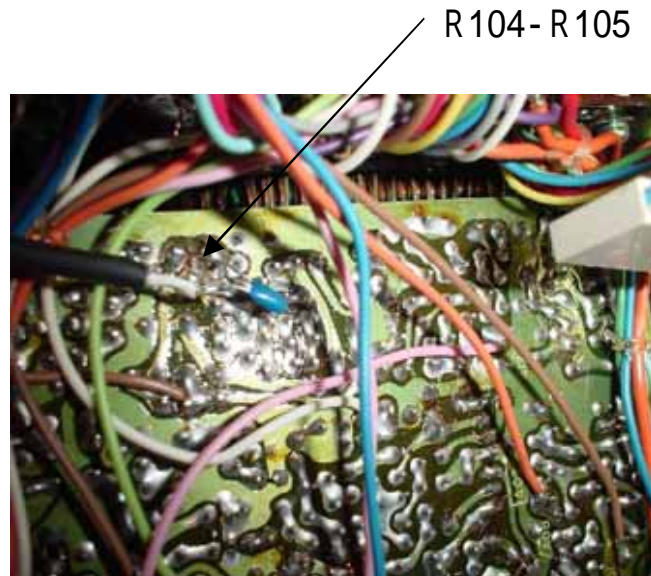
CAW type



ICOM IC-232 , IC-271 next page

The output of this PC generator should be connected to the deviation potentiometer in the transmitter circuit and not the microphone input.
(Check schematic diagram of transceiver.)

IC-232 Input Place



IC-271 Input Place

Input Place is J12.
That is center of Main circuit board.